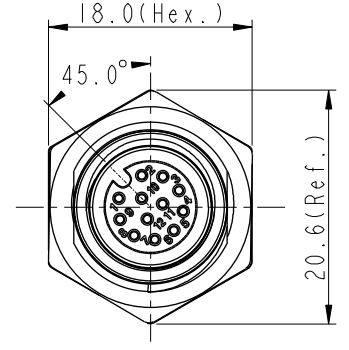
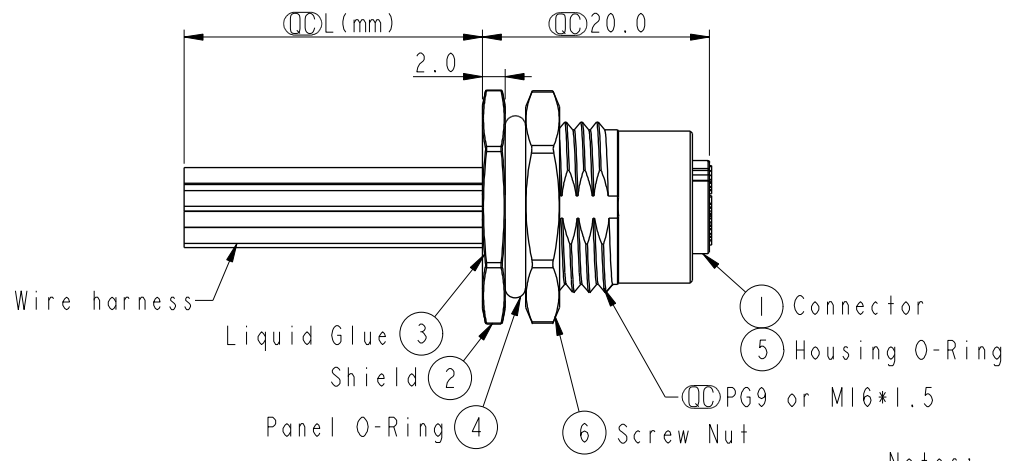
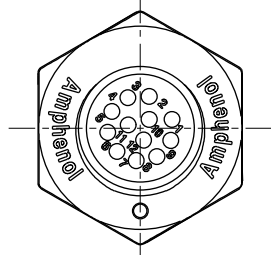


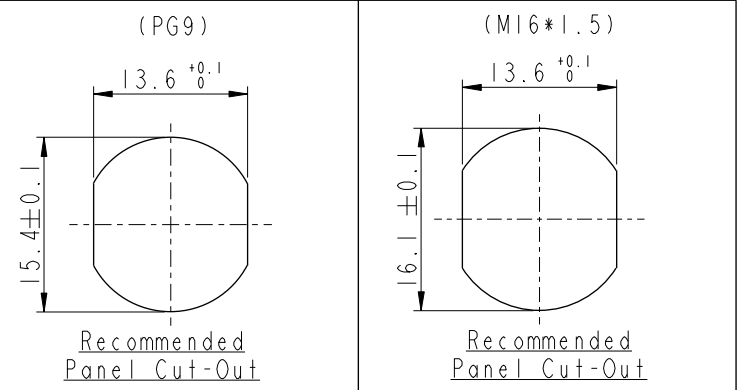
THIS DOCUMENT IS SUBJECT TO CHANGE WITHOUT NOTICE. IT IS CONFIDENTIAL AND A PROPERTY OF Amphenol LTW. DISCLOSURE TO THIRD PARTY HAS TO BE AUTHORIZED BY Amphenol LTW.

REV.	ECN NO.	DATE	SIGN	DESCRIPTION
B	LE31570232~241	2015/07/23	Yulong_wang	Change to Share Drawing.
C	LENI680545~556 LENI680593~597	2016/080/08	Yulong_wang	Add 6pin & IP69K.
D	EI91630	2019/09/19	Ruru	Update Wire Tolerance



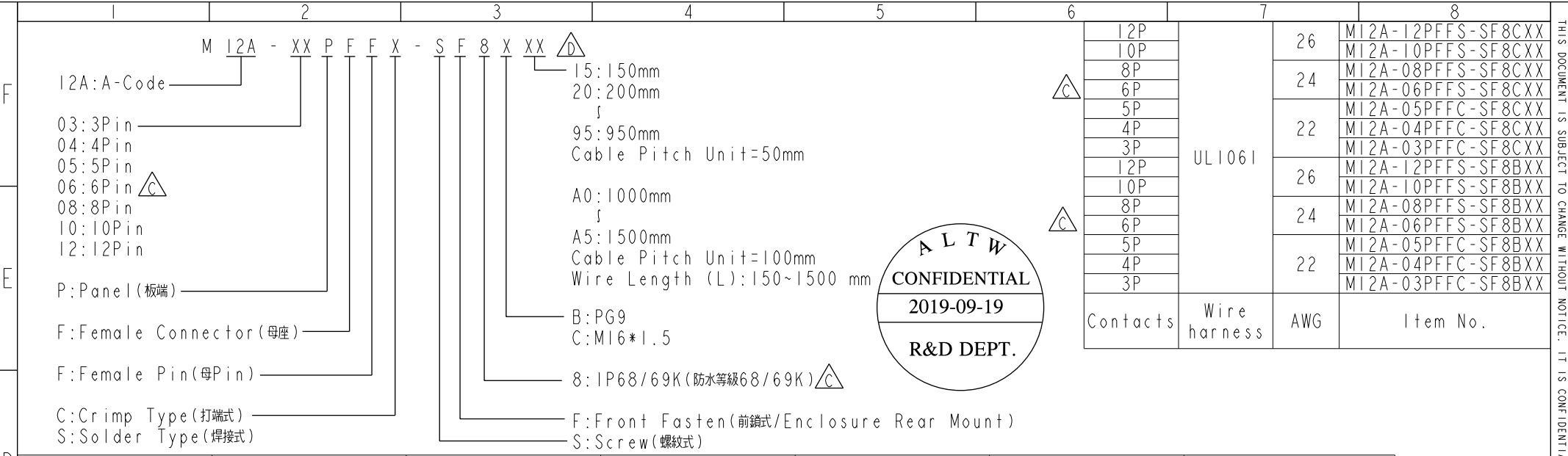
- Notes:
- * \varnothing Important Dimension.
 - * Waterproof Rate: IP68, IP69K.
 - * Connector: Nylon+GF, Black.
 - * Female Pin: Copper Alloy, Gold Plated.
 - * Shield: Zinc Alloy, Nickel Plated.
 - * Screw Nut: Zinc Alloy, Nickel Plated.
 - * Panel O-Ring: Viton, Black.
 - * Housing O-Ring: Viton, Green.
 - * Wire harness: UL1061
 - * Rated Voltage: 3 & 4Pin 250V dc. or ac.
5Pin 60V dc. or ac.
6~12Pin 30V dc. or ac.
 - * Rated Current: 3~5Pin 4A
6~8Pin 2A
10~12Pin 1.5A
 - * Operating Temperature: -25~85°C
 - * For Panel Thickness Max 4.5mm.
 - * Nut Torque: 4~6 Kgf.cm.
 - * Wire harness Tolerance: 150~300±15mm
301~1000±20mm
Over1000 ±50/-0mm

A L T W
CONFIDENTIAL
2019-09-19
R&D DEPT.



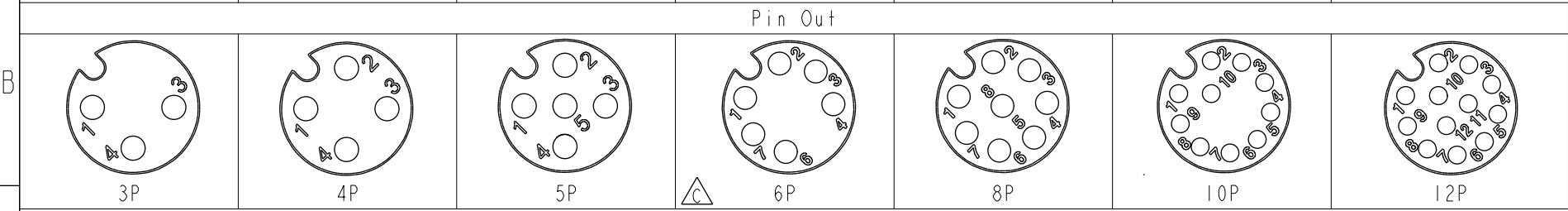
UNIT: mm		TITLE M12 A-Code Female Conn. Panel Front With Wire harness		<h1 style="margin: 0;">Amphenol LTW</h1> <p style="margin: 0;">安費諾亮泰企業股份有限公司</p>	ITEM NO	DRAWN BY	DATE
		TOLERANCE .X ±0.25 .XX ±0.1 .XXX ±0.05 ANGLES ±1°	SCALE 3:2 REV. D		SIZE A4 WC-REV. A.3	SHEET 1 OF 2 \varnothing : Inspection item	DWG NO M12A-XXPFFX-SF8XXX
				CUSTOMER	APPROVED BY	DATE	
				ALTW	Max	2019-09-19	

THIS DOCUMENT IS SUBJECT TO CHANGE WITHOUT NOTICE. IT IS CONFIDENTIAL AND A PROPERTY OF Amphenol LTW. DISCLOSURE TO THIRD PARTY HAS TO BE AUTHORIZED BY Amphenol LTW.



12P	UL1061	26	M12A-12PFFS-SF8CXX
10P			M12A-10PFFS-SF8CXX
8P		24	M12A-08PFFS-SF8CXX
6P			M12A-06PFFS-SF8CXX
5P		22	M12A-05PFFC-SF8CXX
4P			M12A-04PFFC-SF8CXX
3P			M12A-03PFFC-SF8CXX
12P		26	M12A-12PFFS-SF8BXX
10P			M12A-10PFFS-SF8BXX
8P		24	M12A-08PFFS-SF8BXX
6P			M12A-06PFFS-SF8BXX
5P		22	M12A-05PFFC-SF8BXX
4P	M12A-04PFFC-SF8BXX		
3P	M12A-03PFFC-SF8BXX		
Contacts	Wire harness	AWG	Item No.

5	--	5	--	5	Gray	灰	5	Gray	灰	5	Gray	灰	5	Gray	灰	5	Gray	灰		
4	Black	黑	4	Black	黑	4	Black	黑	4	Black	黑	4	Black	黑	4	Black	黑	4	Black	黑
3	Blue	藍	3	Blue	藍	3	Blue	藍	3	Blue	藍	3	Blue	藍	3	Blue	藍	3	Blue	藍
2	--		2	White	白	2	White	白	2	White	白	2	White	白	2	White	白	2	White	白
1	Brown	棕	1	Brown	棕	1	Brown	棕	1	Brown	棕	1	Brown	棕	1	Brown	棕	1	Brown	棕
8	--		7	Blue	藍	7	Blue	藍	7	Blue	藍	7	Blue	藍	7	Blue	藍	7	Blue	藍
7	Blue	藍	6	Pink	粉	6	Pink	粉	6	Pink	粉	6	Pink	粉	6	Pink	粉	6	Pink	粉
6	Pink	粉	5	--		5	Gray	灰	5	Gray	灰	5	Gray	灰	5	Gray	灰	5	Gray	灰
5	Gray	灰	4	Yellow	黃	4	Yellow	黃	4	Yellow	黃	4	Yellow	黃	4	Yellow	黃	4	Yellow	黃
4	Yellow	黃	3	Green	綠	3	Green	綠	3	Green	綠	3	Green	綠	3	Green	綠	3	Green	綠
3	Green	綠	2	Brown	棕	2	Brown	棕	2	Brown	棕	2	Brown	棕	2	Brown	棕	2	Brown	棕
2	Brown	棕	1	White	白	1	White	白	1	White	白	1	White	白	1	White	白	1	White	白
1	White	白	12	--		11	--		10	Violet	紫	9	Black	黑	8	Red	紅	7	Blue	藍
12	--		11	--		10	Violet	紫	9	Black	黑	8	Red	紅	7	Blue	藍	6	Pink	粉
11	--		10	Violet	紫	9	Black	黑	8	Red	紅	7	Blue	藍	6	Pink	粉	5	Gray	灰
10	Violet	紫	9	Black	黑	8	Red	紅	7	Blue	藍	6	Pink	粉	5	Gray	灰	4	Yellow	黃
9	Black	黑	8	Red	紅	7	Blue	藍	6	Pink	粉	5	Gray	灰	4	Yellow	黃	3	Green	綠
8	Red	紅	7	Blue	藍	6	Pink	粉	5	Gray	灰	4	Yellow	黃	3	Green	綠	2	Brown	棕
7	Blue	藍	6	Pink	粉	5	Gray	灰	4	Yellow	黃	3	Green	綠	2	Brown	棕	1	White	白
6	Pink	粉	5	Gray	灰	4	Yellow	黃	3	Green	綠	2	Brown	棕	1	White	白	12	Red/Blue	紅/藍
5	Gray	灰	4	Yellow	黃	3	Green	綠	2	Brown	棕	1	White	白	11	Gray/Pink	灰/粉	10	Violet	紫
4	Yellow	黃	3	Green	綠	2	Brown	棕	1	White	白	12	Red/Blue	紅/藍	11	Gray/Pink	灰/粉	10	Violet	紫
3	Green	綠	2	Brown	棕	1	White	白	12	Red/Blue	紅/藍	11	Gray/Pink	灰/粉	10	Violet	紫	9	Black	黑
2	Brown	棕	1	White	白	12	Red/Blue	紅/藍	11	Gray/Pink	灰/粉	10	Violet	紫	9	Black	黑	8	Red	紅
1	White	白	12	Red/Blue	紅/藍	11	Gray/Pink	灰/粉	10	Violet	紫	9	Black	黑	8	Red	紅	7	Blue	藍



Pin Assignments Front View

UNIT: mm		TITLE		ITEM NO		DRAWN BY		DATE		
		M12 A-Code Female Conn. Panel Front With Wire harness		M12A-XXPFFX-SF8XXX		Ruru		2019-09-19		
		SCALE	SIZE	SHEET	OF	CHECKED BY	DATE			
TOLERANCE		3:2	A4	2	2	Rita	2019-09-19			
.X ±0.25		REV.	WC-REV.	QC: Inspection item		APPROVED BY	DATE			
.XX ±0.1		D	A.3			Max	2019-09-19			
.XXX ±0.05										
ANGLES ±1°										

Amphenol LTW
安費諾亮泰企業股份有限公司

CUSTOMER: ALTW