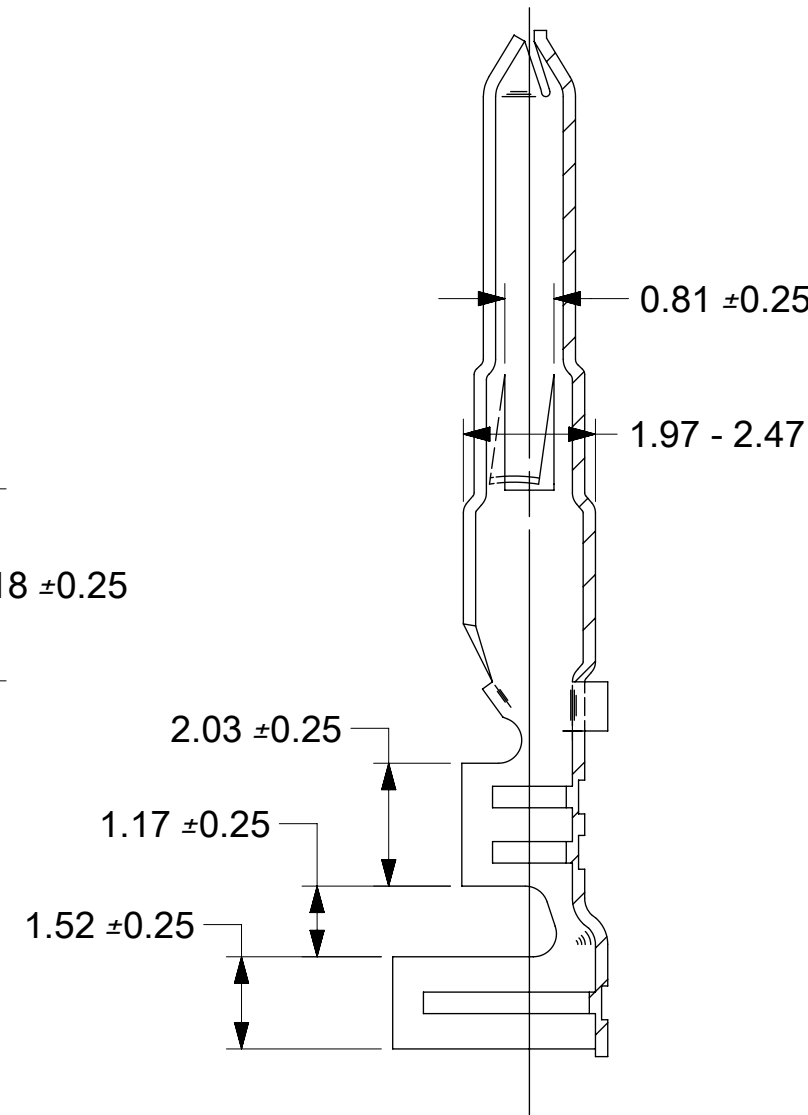
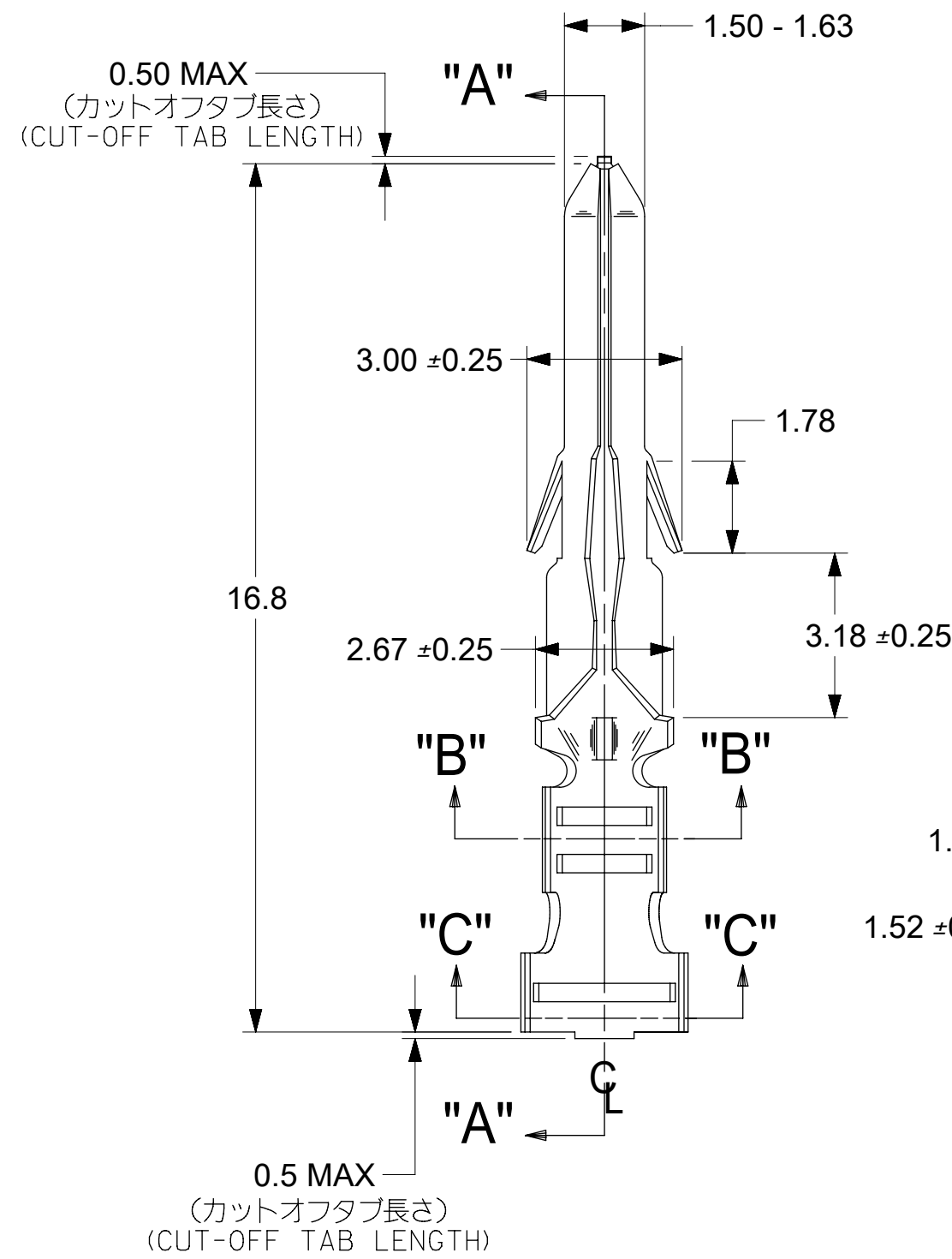
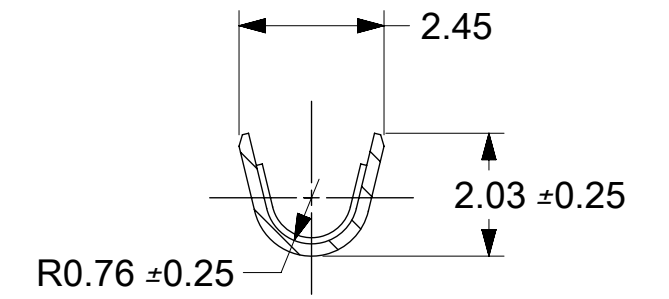


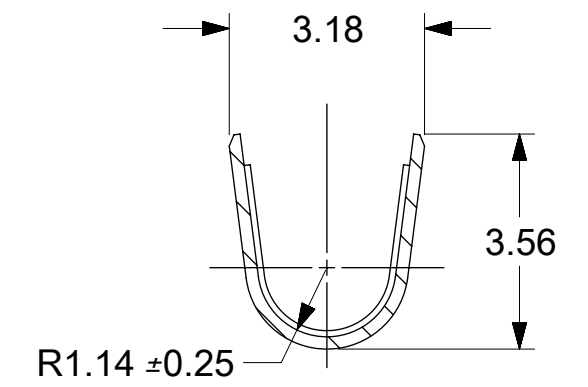
CHAIN FORM
SCALE: 4:1



SECT. "A-A"



SECT. "B-B"



SECT. "C-C"

注記 NOTES:

一般公差 : ±0.4
GENERAL TOLERANCES: ±0.4

1. MATERIAL: BRASS
2. FINISH: SEE CHART
3. PRODUCT SPECIFICATION: PS-02-06
4. PACKAGING INFORMATION: 15600000-PK
5. TERMINAL FOR USE WITH (1.57)/.062 DIA. SERIES HOUSINGS AND WILL ACCEPT 18 THRU 24 AWG WIRE WITH 1.5/3.1 INSULATION DIA.
6. PARTS CONFORM TO CLASS B REQUIREMENTS OF COSMETIC SPECIFICATION PS-45499-002.

材料 MATERIAL	黄銅 BRASS	0.2 t
仕上げ FINISH	—	
適用電線範囲 WIRE RANGE	AWG# 18-#24	
被覆外径 INS. RANGE	∅ 1.5~3.1	

SYMBOLS		THIS DRAWING CONTAINS INFORMATION THAT IS PROPRIETARY TO MOLEX ELECTRONIC TECHNOLOGIES, LLC AND SHOULD NOT BE USED WITHOUT WRITTEN PERMISSION	
▽ = 0	mm	SCALE	8:1
▽ = 0	GENERAL TOLERANCES (UNLESS SPECIFIED)		
▽ = 0	ANGULAR TOL	±	°
▽ = 0	4 PLACES	±	
▽ = 0	3 PLACES	±	
▽ = 0	2 PLACES	±	
▽ = 0	1 PLACE	±	
▽ = 0	0 PLACES	±	
▽ = 0	DRAFT WHERE APPLICABLE MUST REMAIN WITHIN DIMENSIONS		
▽ = 0	THIRD ANGLE PROJECTION	DRAWING	C-SIZE
CURRENT REV DESC: UPDATE GRAPHICS		SERIES	1560
EC NO: 632666		DATE	2019/03/06
DRWN: MKIPPER		DATE	2020/02/26
CHK'D: DSTEIER		DATE	2020/06/05
APPR: FSMITH		DATE	2020/06/05
INITIAL REVISION:		DATE	2008/12/16
DRWN: NAKAMURAA		DATE	2009/01/15
APPR: NUKITA		DATE	2009/01/15
DOCUMENT NUMBER		DOC TYPE	DOC PART
SD-1560-001		PSD	001
MATERIAL NUMBER		CUSTOMER	SHEET NUMBER
SEE CHART		GENERAL MARKET	1 OF 1

銅 (0.5 μm MIN.) 下地 錫 (0.9 μm MIN.) TIN (0.9 μm MIN.) OVER COPPER (0.5 μm MIN.)	39-00-0327	1560TL	バラ端子 LOOSE
メッキ PLATING	EDP.NO.	ENG.NO.	連鎖端子 CHAIN 形状 FORM

molex

0.62 DIA CRIMP MALE TERM

PRODUCT CUSTOMER DRAWING

DOCUMENT NUMBER | DOC TYPE | DOC PART | REVISION

SD-1560-001 | PSD | 001 | M

MATERIAL NUMBER | CUSTOMER | SHEET NUMBER

SEE CHART | GENERAL MARKET | 1 OF 1